

SECO S.r.l.
Via Calamandrei 91
52100 Arezzo
Italy

SECO

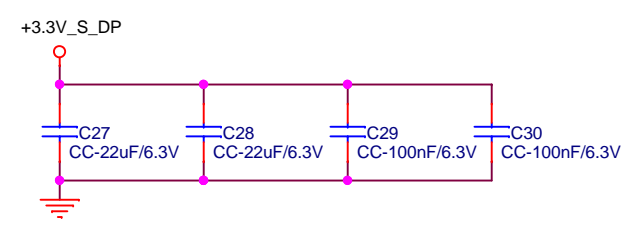
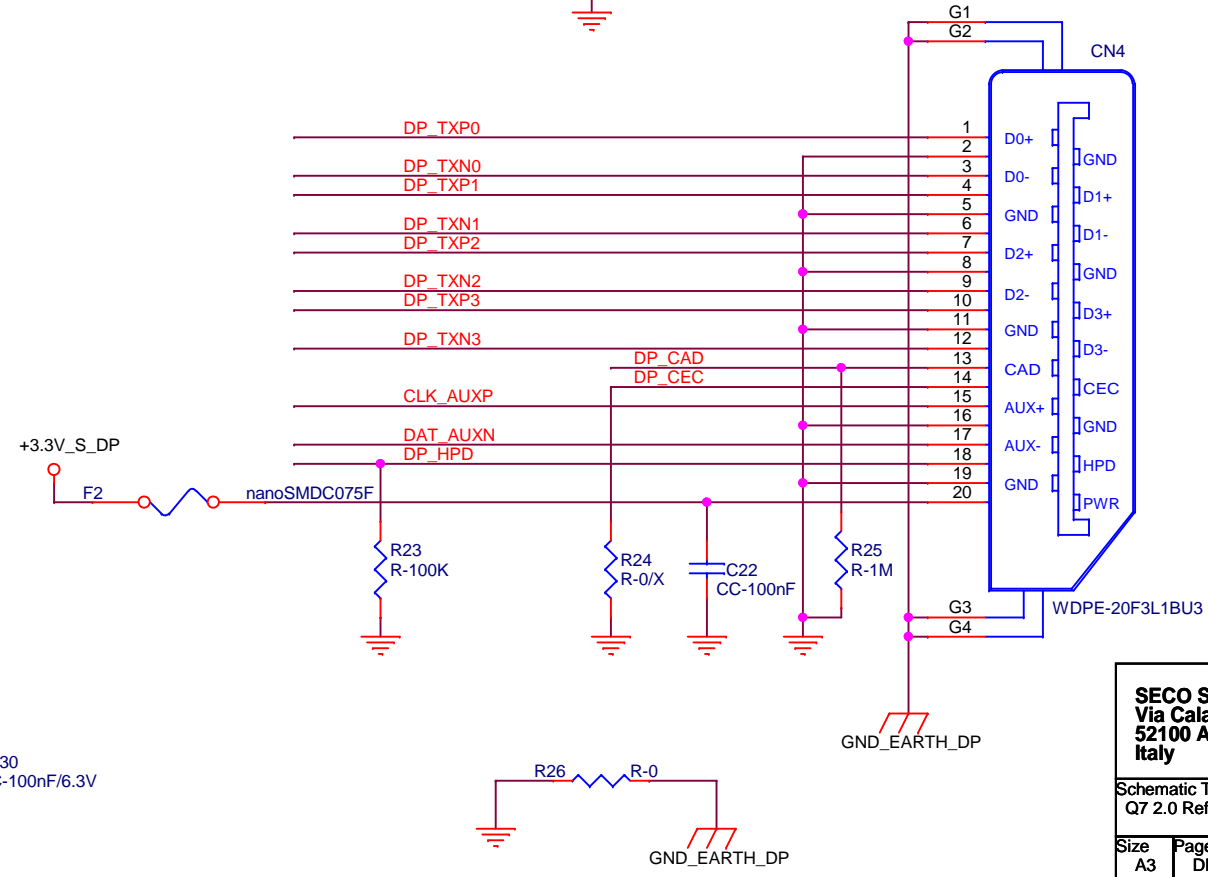
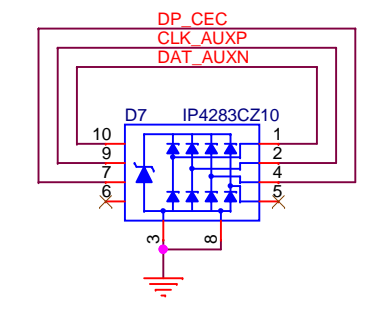
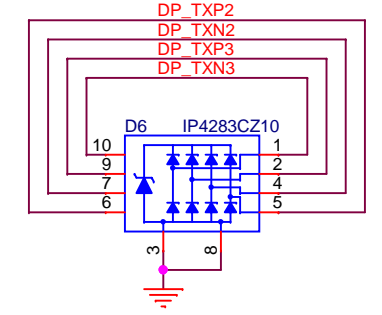
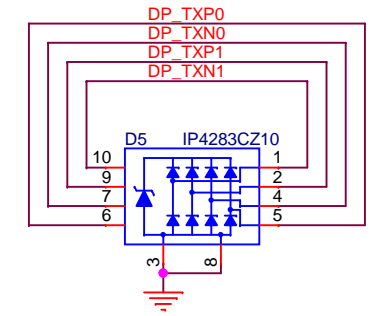
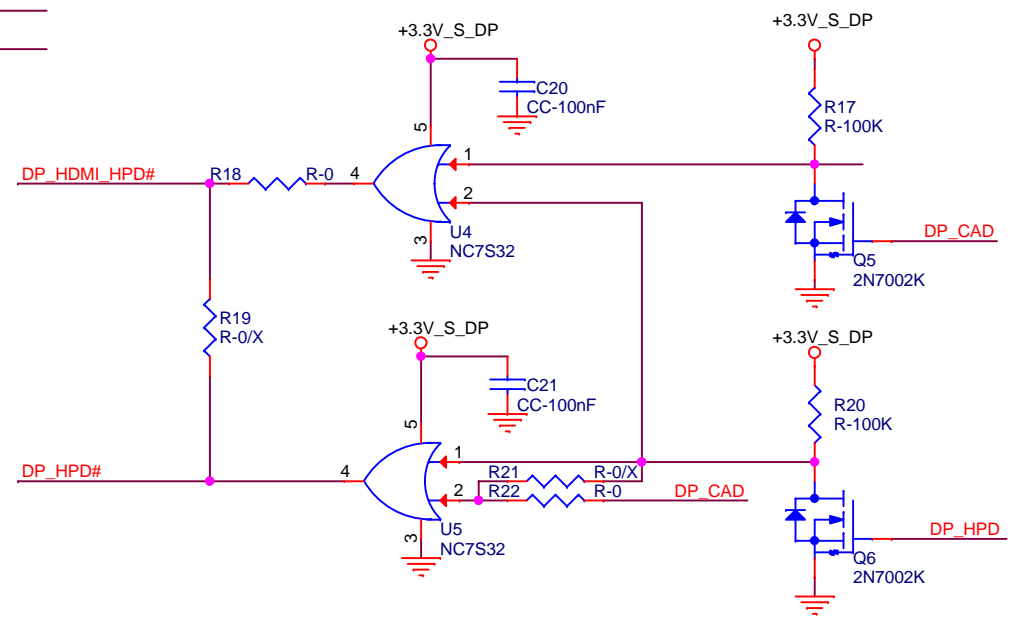
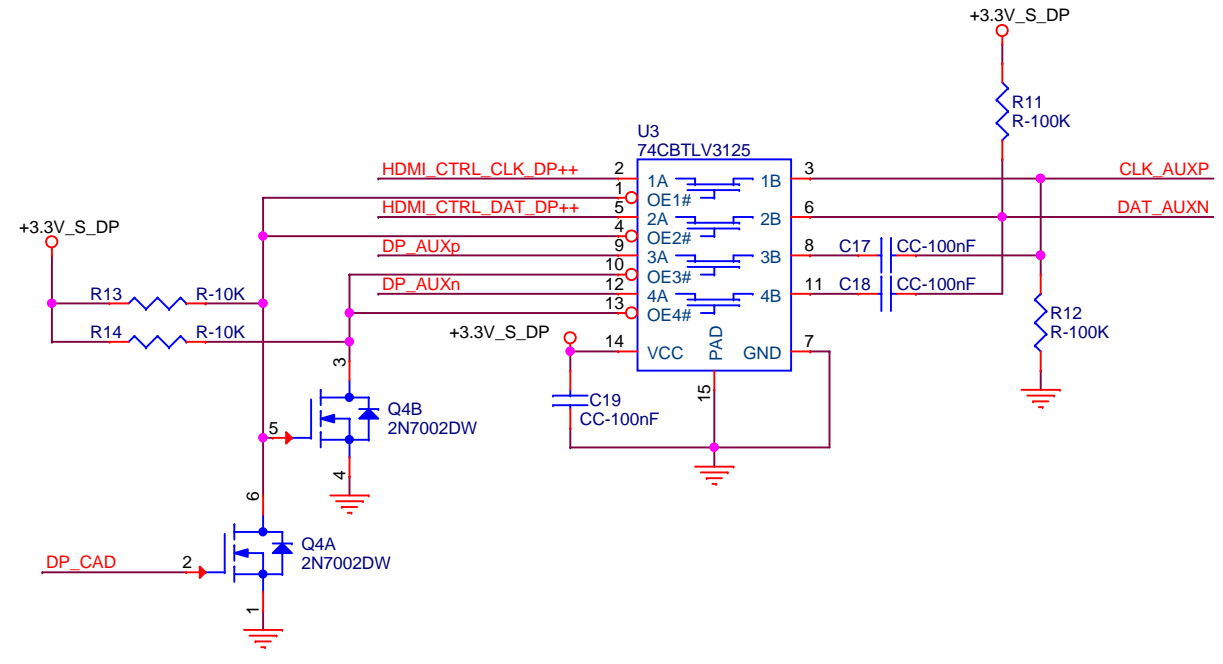
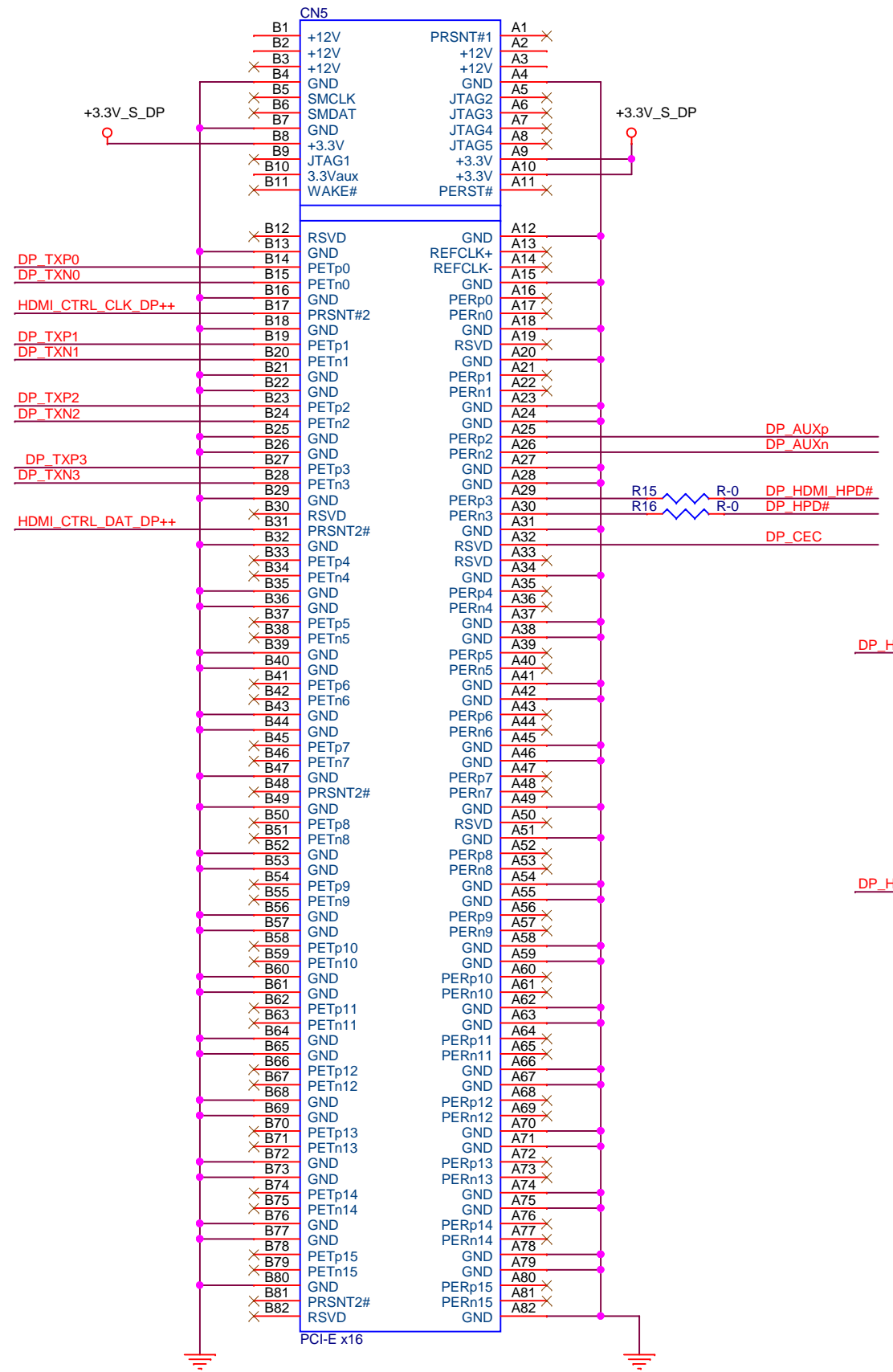
Schematic Title
SE0A65 - Q7 2.0 Reference Board HDMI DP Adapter

Created
SGET

Size A3	Page Name HDMI	Rev 1
------------	-------------------	----------

Date: Wednesday, May 13, 2015

Sheet 1 of 2



SECO S.r.l.
Via Calamandrei 91
52100 Arezzo
Italy

Schematic Title: Q7 2.0 Reference Board HDMI DP Adapter
Created: SGET

Size: A3	Page Name: DP	Rev: 1
----------	---------------	--------

Date: Wednesday, May 13, 2015
Sheet: 2 of 2